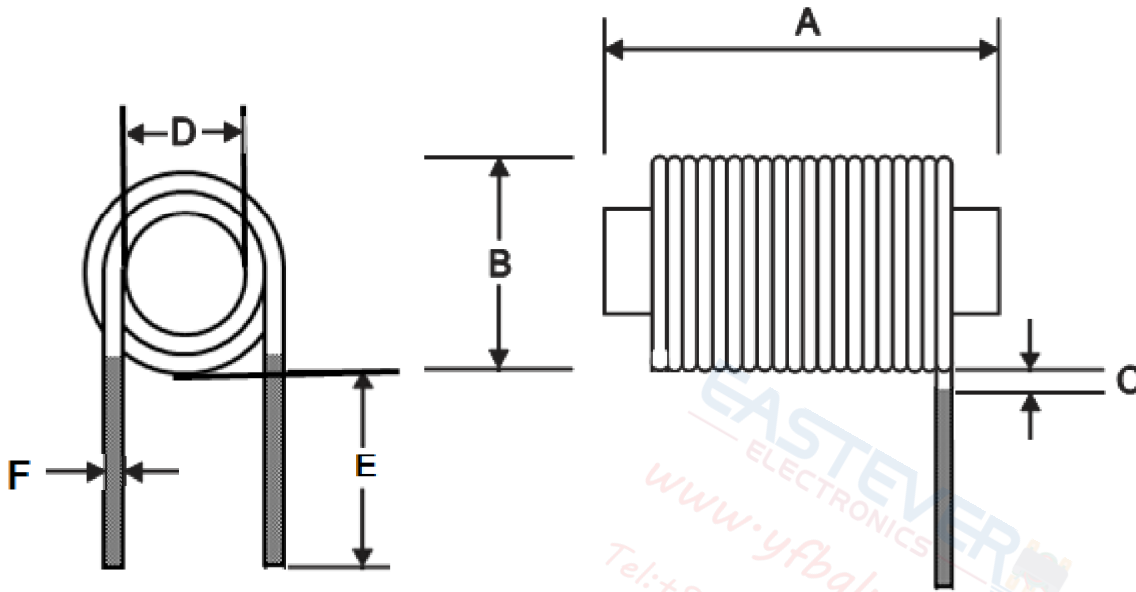
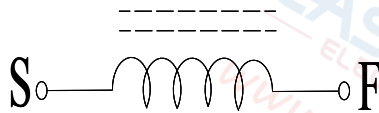


1、 DIMENSION DIAGRAM (Unit:mm)



A=20.0±0.50 B=7.80±0.20 C=3.00Max D=5.00±0.20 E=23.00Min F=0.65 Ref

2、 ELECTRICAL STRUCTURE:



3、 ELECTRICAL CHARACTERISTICS:

TURNS : 42.0TS(FIXED)
 TEST FREQUENCY : 1.0KHz/0.3V(TH2776B)
 INDUCTANCE : 34.0uH(±15%)
 RDC : 120mΩ(Max)
 IDC : 2.50A (Max)

DRAW BY

yang lin

CHECKED BY

ye yong jun

APPROVED BY

deng gao